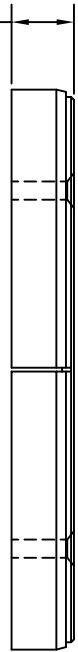
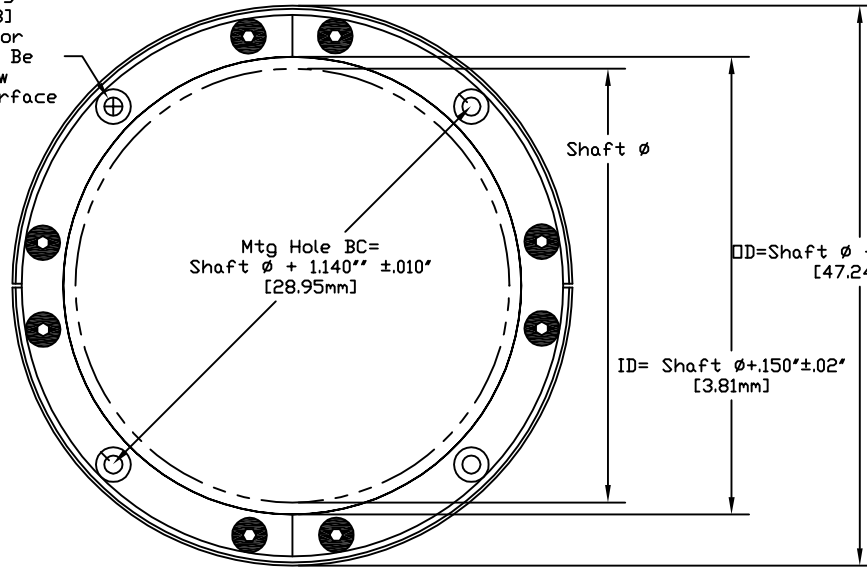


Patented Technology

0.650 Max [16.51]



Mounting Holes
 $\varnothing 0.1880$ [$\varnothing 4.78$]
 82° "C" Sink For
 FHCS Heads To Be
 Slightly Below
 Retaining Ring Surface
 (4X)



Fiber \varnothing =Shaft $\varnothing - 0.060'' \pm 0.010$ [1.52mm ± 0.25]

Flat Head Screw Mounting

Notes:

- Split WTGSL For Shaft Diameters Up To 15.748" [400mm]
- 1: WTGSL-_____-1FHA4 Supplied With 4, 8-32 X 1" FHCS
- 2: WTGSL-_____-2FHA4 Supplied With 4 M4x.7x25mm FHCS
- 3: Contains 6 Rows Of Conductive Micro Fibers
- 4: To be Installed In Conjunction With AEGIS® Colloidal Silver Coating PN CS015

THEREIN, ARE THE EXCLUSIVE PROPERTY OF ELECTRO STATIC TECHNOLOGY ISSUED IN STRICT CONFIDENCE AND SHALL NOT WITHOUT CONSENT, BE REPRODUCED, COPIED OR USED FOR ANY PURPOSE WHATSOEVER, EXCEPT BUSINESS WITH E.S.T.

UNLESS OTHERWISE SPECIFIED	
DIMENSIONS ARE IN.	
MILLIMETERS	<input type="checkbox"/>
INCHES	<input checked="" type="checkbox"/>
UNTOLERANCED DIMENSIONS	
DATE: 12/7/2011	
ENGINEER: J. Richardson	

ELECTRO STATIC TECHNOLOGY
 AN ITW COMPANY

31 WINTERBROOK ROAD, MECHANIC FALLS, MAINE 04256
 PHONE (207)998-5140 FAX (207)998-5143

WTGSL Split Bearing Protection Ring

WTGSL Split Template _FHA4

Rev. A