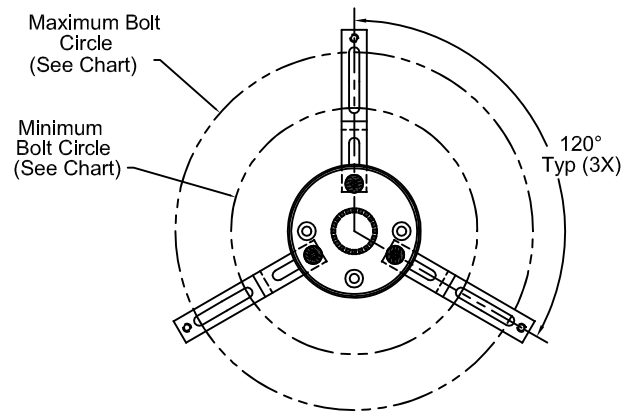
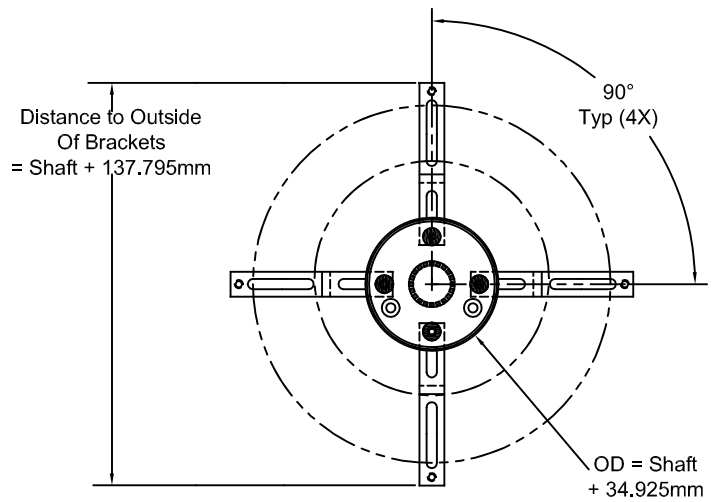
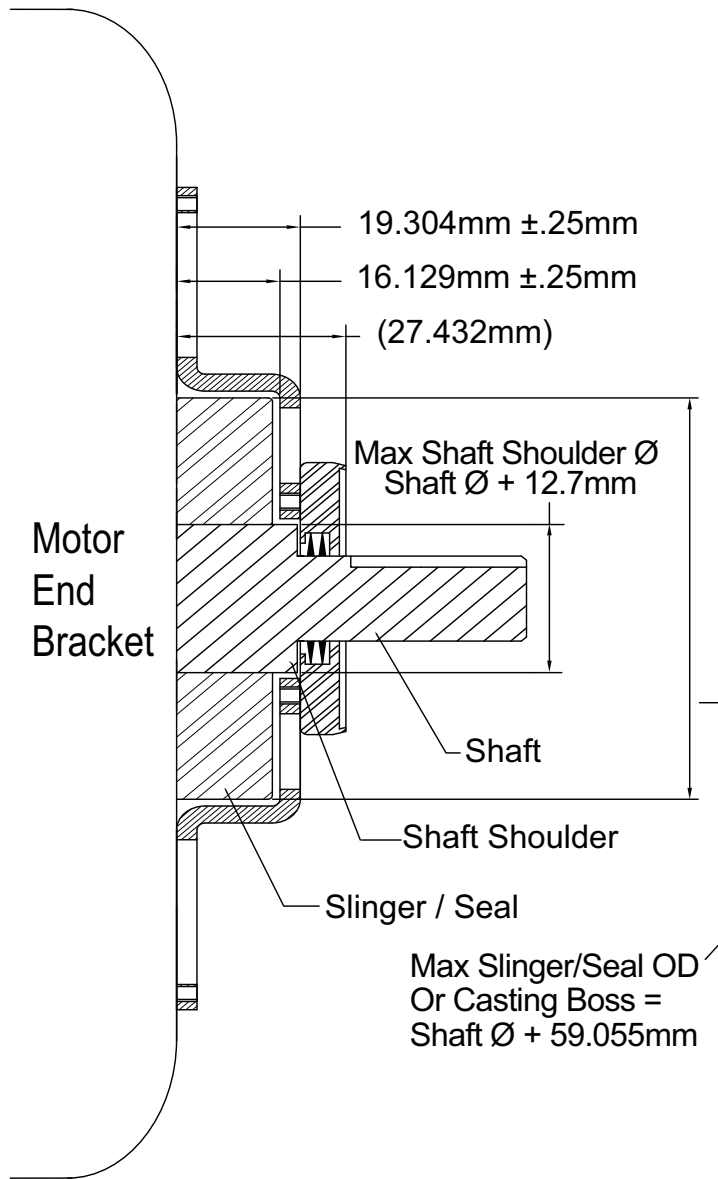


Bolt Circle for NEMA motors

Shaft	Universal Bracket	
	MIN	MAX
0.625"	3.700"	5.375"
0.875"	3.950"	5.625"
1.125"	4.200"	5.875"
1.375"	4.450"	6.125"
1.625"	4.700"	6.375"
1.875"	4.950"	6.625"
2.125"	5.200"	6.875"
2.375"	5.450"	7.125"
2.875"	5.950"	7.625"
3.375"	6.450"	8.125"
3.625"	6.700"	8.375"
3.875"	6.950"	8.625"
4.375"	7.450"	9.125"
4.875"	7.950"	9.625"



Patented Technology
www.est-aegis.com



Bolt Circle for IEC motors

Shaft	Universal Bracket	
	MIN	MAX
28	107mm	148mm
38	117mm	158mm
42	121mm	162mm
48	127mm	168mm
55	134mm	175mm
60	139mm	180mm
65	144mm	185mm
70	149mm	190mm
75	154mm	195mm
80	159mm	200mm
85	164mm	205mm
90	169mm	210mm
95	174mm	215mm



Patented Technology
www.est-aegis.com