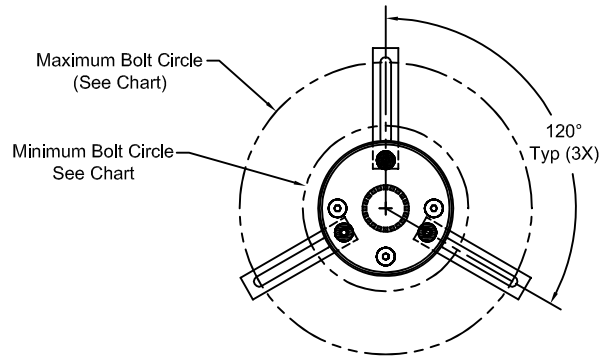
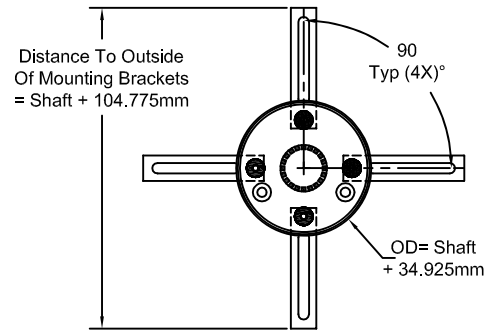
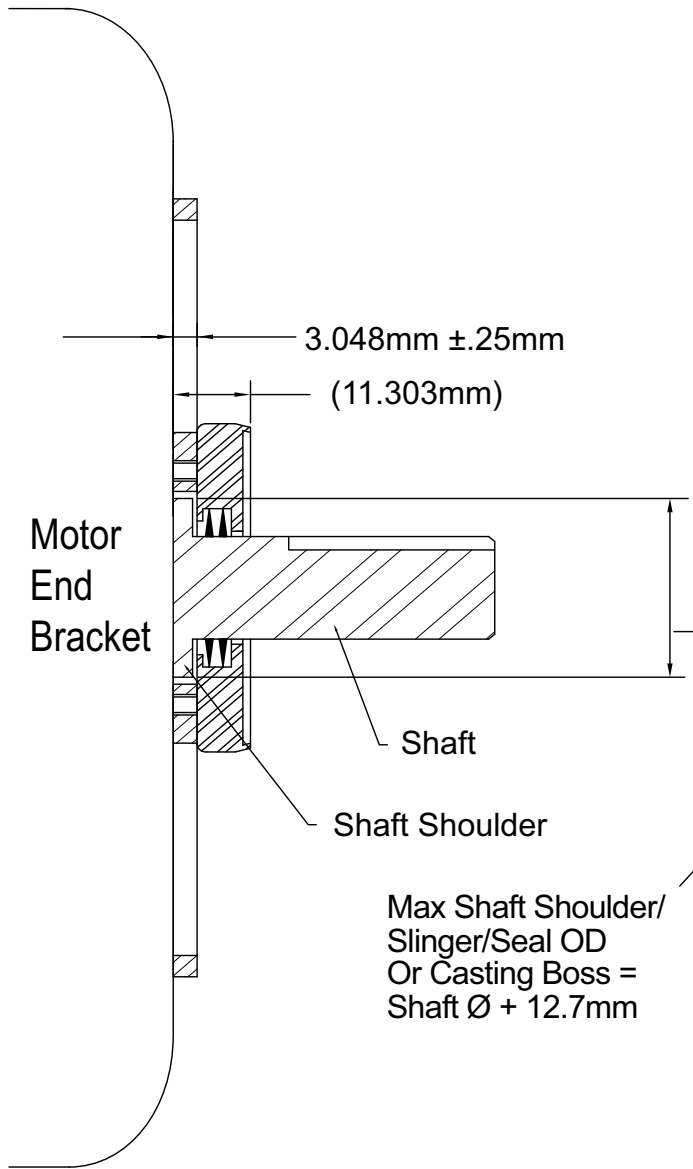


### Bolt Circle for NEMA motors

Shaft	Universal Bracket	
	MIN	MAX
0.625"	2.450"	4.325"
0.875"	2.700"	4.575"
1.125"	2.950"	4.825"
1.375"	3.200"	5.075"
1.625"	3.450"	5.325"
1.875"	3.700"	5.575"
2.125"	3.950"	5.825"
2.375"	4.200"	6.075"
2.875"	4.700"	6.575"
3.375"	5.200"	7.075"
3.625"	5.450"	7.325"
3.875"	5.700"	7.575"
4.375"	6.200"	8.075"
4.875"	6.700"	8.575"



Patented Technology  
[www.est-aegis.com](http://www.est-aegis.com)



### Bolt Circle for IEC motors

Shaft	Universal Bracket	
	MIN	MAX
28	75mm	121mm
38	85mm	131mm
42	89mm	135mm
48	95mm	141mm
55	102mm	148mm
60	107mm	153mm
65	112mm	158mm
70	117mm	163mm
75	122mm	168mm
80	127mm	173mm
85	132mm	178mm
90	137mm	183mm
95	142mm	188mm



Patented Technology  
[www.est-aegis.com](http://www.est-aegis.com)